

RONG FENG

承 認 圖

SPECIFICATION FOR APPROVAL

西元 2012 年 12 月 25 日

PART NUMBER: Power Inlet+Fuseholder

ITEM NUMBER: RF-2004

ORDER NUMBER: RF-2004-C-4.8

DRAWING NUMBER: 890149

核 准	校 核	工 程

RONG FENG INDUSTRIAL CO., LTD

榮 豐 工 業 股 份 有 限 公 司

NO.180,CHENGKUNG
3 RD.NANTOU
CITY,TAIWAN

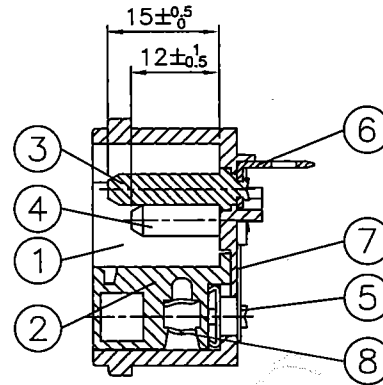
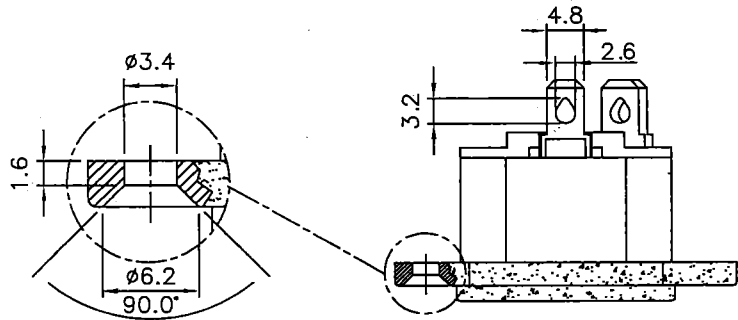
TEL: 886-49-252421~5
FAX: 886-49-253647

南投市成功三路 180 號
統一編號: 61451224

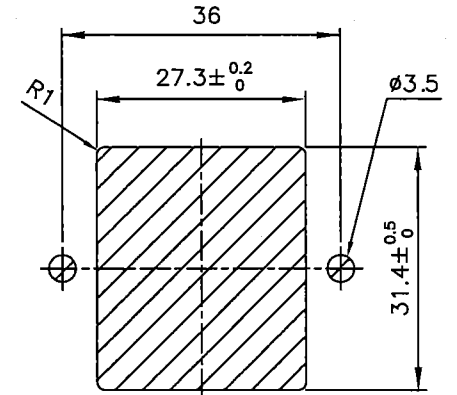
<http://rongfeng.com.tw>

E-Mail: rongfeng@tcts.seed.net.tw

RF-2004

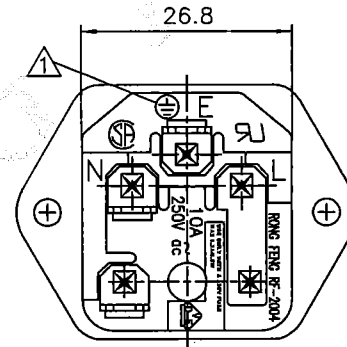
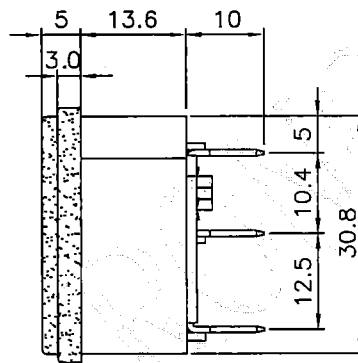
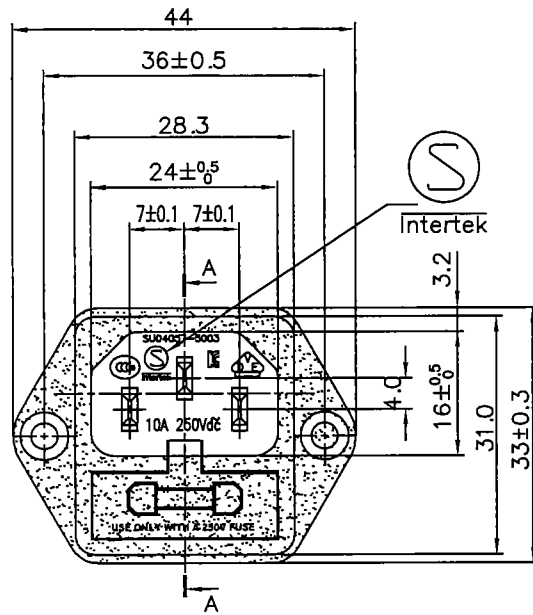


A-A 剖面



PANEL CUTOUT DIMENSION TABLE

MODEL NO: RF-2004
 RATING: 10A250V \checkmark c
 APPROVED: UL,CSA,KTL
 SEMKO,CCC
 RATING: 6.3A250V \checkmark c
 APPROVED: VDE



8	TERMINAL	2	BRASS t=0.5mm
7	TERMINAL	1	BRASS t=0.8mm
6	TERMINAL(Matte tin)	3	BRASS t=0.8mm
5	TERMINAL	2	BRASS t=2.0mm
4	TERMINAL	2	BRASS t=2.0mm
3	TERMINAL	1	BRASS t=2.0mm
2	COVER	1	NYLON#66
1	CASE	1	NYLON#66
NO	PART NAME	Q'TY	MATERIAL

5	→			GENERAL TOLERANCE		approved	checked	designed	drawn
4	→			GRADATION	TOLERANCE	洪 101.10.02 銘福	蔡 101.10.02 伯林	謝 101.10.02 祺祥	YUN
3	→			X	±0.4				
2	→			X.X	±0.3				
1	≡ → ⊕		101.10.02	X.XX	±0.1	RONG FENG INDUSTRIAL CO.,LTD.			
NO.	DESCRIPTION	APPROVED	DATE	ANGLE	±1°				

ALL SIZE ARE IN	MM	
SCALE	1:1	
MAT'L	**	
ORDER NO.	DRAWING NO.	
RF-2004-C-4.8	890149	

RONG FENG INDUSTRIAL CO.,LTD.

榮豐工業股份有限公司

NO.180,CHENGKUNG 3 ROAD
NAN TOU CITY,TAIWAN
R.O.C.

TEL:886-49-252421~5
FAX:886-49-253647

南投市成功三路 180 號
統一編號:61451224
CABEL:RONG FENG

Specification Of RF-2004 Power Inlet+Fuseholder

page:2

8. Construction

8.1. Heat test

The Inlet should be putted in a hot chamber at temperature of $100^{\circ}\text{C} \pm 5^{\circ}\text{C}/\text{hour}$.

The Inlet should have the capability to satisfy the performance the paragraphs 7.1., 7.2.,

7.3. And the Inlet should show no evidence of cracking.

Crazing and deformation.

8.2. Material

The Inlet should be used NYLON or PC .

9.Packing

100 PCS/BAG. 1,000 PCS/CTN.

APPROVED	CHECK	WRITER	DESCRIPTION
M. F. HUNG	John	Jenny	100. 1 . 1 4

ENGINEER NO : TWI-K-0084(B)

AYVZ2

January 22, 1998

Component - Attachment Plugs With Overload Protection

RONG FENG INDUSTRIAL CO LTD

E188361

180 CHENG KUNG 3RD RD, NAN TOU TAIWAN

Male Inlets.

Cat. No. RF-2004.

Marking: Company name on device, catalog designation on device or carton.

See General Information Preceding These Recognitions.

For use only in equipment where the acceptability of the combination is determined by Underwriters Laboratories Inc.

Report: January 26, 1998.

508101003

Underwriters Laboratories Inc.®

D11/0337998



Certificate of Compliance

Certificate: 2409640

Master Contract: 175964

Project: 2409640

Date Issued: May 9, 2011

Issued to: Rong Feng Industrial Co., Ltd.
No 180, Cheng Kung 3 Rd.,
Nan Tou City, Taiwan

Attention: Mr. John Yu

The products listed below are eligible to bear the CSA Mark shown



Issued by:


Jupiter Huang
Certifier

PRODUCTS

CLASS – 6233 01 - RECEPTACLES - Attachment Plug Type and Plugs

For details related to rating, size, configuration, etc. reference should be made to the CSA Certification Record or the descriptive report.

Appliance Inlet with fuse holder, Model RF-2004, rated 10 A, 250 V.

Notes:

1. These connectors are supplied only to manufacturers as components for the assembly of Certified Electrical Equipment.
2. Subject to investigation in the end use.

APPLICABLE REQUIREMENTS

- | | | |
|--------------------------|---|--|
| CAN/CSA-C22.2 No 0-M1982 | - | General Requirements - Canadian Electrical Code, Part II |
| CSA-C22.2 No 182.3-M1987 | - | Special Use Attachment Plugs, Receptacles and Connectors |

VDE Prüf- und Zertifizierungsinstitut

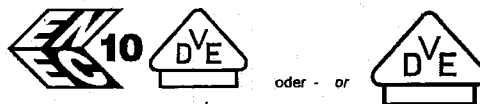
ZEICHENGENEHMIGUNG MARKS APPROVAL

Rong Feng Industrial
Co., Ltd.
No. 180, Cheng Kung 3rd Road
540 NAN TOU CITY
TAIWAN

ist berechtigt, für ihr Produkt /
is authorized to use for their product

Gerätestecker mit integriertem Gerätesicherungshalter
Appliance inlet with integrated fuse-holder

die hier abgebildeten markenrechtlich geschützten Zeichen
für die ab Blatt 2 aufgeführten Typen zu benutzen /
the legally protected Marks as shown below for the types referred to on page 2 ff.



Geprüft und zertifiziert nach /
Tested and certified according to

DIN EN 60320-1 (VDE 0625-1):2008-05; EN 60320-1:2001 + A1:2007
DIN EN 60127-1 (VDE 0820-1):2007-02; EN 60127-1:2006
DIN EN 60127-6 (VDE 0820 Teil 6):2003-10; EN 60127-6:1994+ A1:1996+ A2:2003

VDE Prüf- und Zertifizierungsinstitut GmbH
VDE Testing and Certification Institute
Zertifizierungsstelle / *Certification*

Dr. Schipper

VDE Zertifikate sind nur gültig bei Veröffentlichung unter:
VDE certificates are valid only when published on:

Aktenzeichen: 1476300-1550-0008 / 121519

File ref.:

Ausweis-Nr. 40029087

Blatt 1

Certificate No.

Page

Weitere Bedingungen siehe Rückseite und Folgeblätter /
further conditions see overleaf and following pages

Offenbach, 2010-01-11

<http://www.vde.com/zertifikat>

<http://www.vde.com/certificate>

VDE



Name und Sitz des Genehmigungs-Inhabers / *Name and registered seat of the Certificate holder*

Rong Feng Industrial Co., Ltd., No. 180, Cheng Kung 3rd Road, 540 NAN TOU CITY, TAIWAN

Aktenzeichen / *File ref.*

1476300-1550-0008 / 121519 / FG31 / E

Datum / *Date*

2010-01-11

Dieses Blatt gilt nur in Verbindung mit Blatt 1 des Zeichengenehmigungsausweises Nr. 40029087.
This supplement is only valid in conjunction with page 1 of the Certificate No. 40029087.

Gerätestecker mit integriertem Gerätesicherungshalter
Appliance inlet with integrated fuse-holder

Typ(en) / *Type(s)*:

- 1) RF-2004
- 2) RF-2004-C

Bemessungsspannung
Rated voltage

AC 250 V

Bemessungsstrom
Rated current

6,3 A

Bemessungswert der zul.
Verlustleistung
Rated power acceptance

$P_v = 2,5 \text{ W} / 6,3 \text{ A}$

Polzahl
Number of poles

2-pole with earthing contact
2-polig mit Schutzkontakt

Bauart
Kind of construction

Normblatt C14
standard sheet C14
mit integriertem Sicherungshalter für
eine Sicherung 5 x 20 mm
with integrated fuse holder for one fuse-link 5 x 20 mm

Kategorie
Category

PC2

Stifttemperatur
Temperature of the pins

max. 70°C

Certificate



for European Product Safety

Reference No. 910573


Appliance inlet

Type designation	RF-2004, RF-2004-C
Certificate holder	Rong Feng Industrial Co., Ltd. No. 180, Cheng-Kung 3rd Road Nan Tou City 540 TAIWAN
The product complies with the standard(s)	EN 60320-1:2001 +A1 EN 60127-6:1994 and A1+A2
Date of expiry	22 March 2015
EU Directive information	The product satisfies the provisions for CE marking according to the Low Voltage Directive 2006/95/EC.

Additional information in Appendix.

Certification Body Intertek Semko AB, Product Certification Place Kista - Stockholm

Signed


Pär Iggström

Date 22 March 2010
Page 1 of 2

This certificate is issued in accordance with the terms and conditions set out in the Appendix.



CERTIFICATE FOR CHINA COMPULSORY PRODUCT CERTIFICATION

No. : 2003010204055108

NAME AND ADDRESS OF THE APPLICANT

Rongfeng Electrical(Shenzhen) Co., Ltd.
Bantian 2nd Industrial Zone, Buji Town, Longgang District, Shenzhen

NAME AND ADDRESS OF THE MANUFACTURER

Rongfeng Electrical(Shenzhen) Co., Ltd.
Bantian 2nd Industrial Zone, Buji Town, Longgang District, Shenzhen

NAME AND ADDRESS OF THE FACTORY

Rongfeng Electrical(Shenzhen) Co., Ltd.
Bantian 2nd Industrial Zone, Buji Town, Longgang District, Shenzhen

NAME, MODEL AND SPECIFICATION

10A 250V Appliance Inlet for Class I Equipment for Cold Conditions
with Fuse Holder
RF-2004 10A 250V~

THE STANDARDS AND TECHNICAL REQUIREMENTS FOR THE PRODUCTS

GB17465.1-2009

This is to certify that the above mentioned products have met the requirements of implementation rules for compulsory certification(REF NO. CNCA-01C-006:2001).

Date of issue: Jun. 02, 2011 Date of expiry: Jun. 02, 2016

Validity of this certificate is subject to positive result of the regular follow up inspection by issuing certification body until the expiry date.

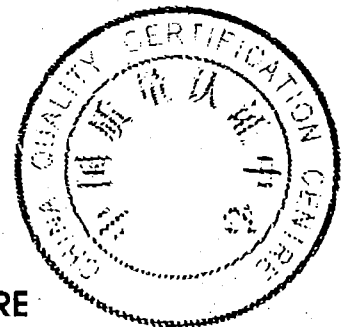
Date of original certification: Jun. 26, 2003

This certificate can be verified through CNCA's website: www.cnca.gov.cn



President:

Wang Kejiao



CHINA QUALITY CERTIFICATION CENTRE

Section 9, No.188, Nansihuan Xilu, Beijing 100070 P.R.China

<http://www.cqc.com.cn>

접수번호 : 05-1920-4097
(Order No.)



전기용품안전인증서

Electrical Appliances Safety Certificate

안전인증번호 : SU04057-5003
(Certificate No.)

제조사명 : Rong Feng Electrical (Shenzhen) Co., Ltd.
(Manufacturer)

대표자명 : Mr.Y.M.Huang
(President)

제조공장의 소재지 : Panten 2nd Industrial Zone Bugy Town, Shenzhen City,
(Factory Address) P.R.China

제품명 : 상호연결커플러 (Appliance inlet)
(Product)

기본모델명 : RF-2004
(Basic Model)

정격 : AC 250V, 10A
(Rating)

파생모델명 : Not Applicable
(Series Model)

적용기준 : K60320-1
(Standard)

「전기용품안전 관리법 시행령」 제4조제3항의 규정에 의하여 위의 전기용품에 대하여 안전인증서를 교부합니다.

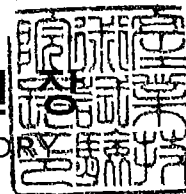
We Issue Electrical Appliances Safety Certification as above product by Article 4 Section 3 of the Electrical Appliances Safety Control Law Operation Rule.

2006년 2월 02일
year month day



산업기술시험원

KOREA TESTING LABORATORY



- 첨부 : 1. 안전관리부품 및 재질목록 (List of Critical Components)
(Annex) 2. 기본모델·파생모델의 내용 (General Descriptions of Certified Products)
3. 전기용품안전인증의 변경 현황 (Status of Certificate Revisions)