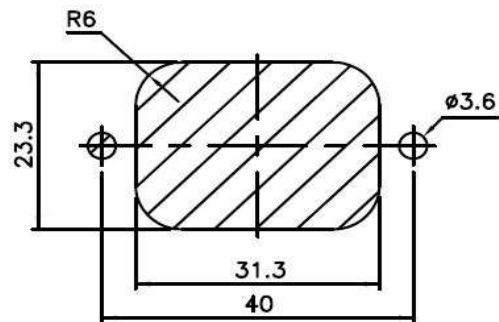
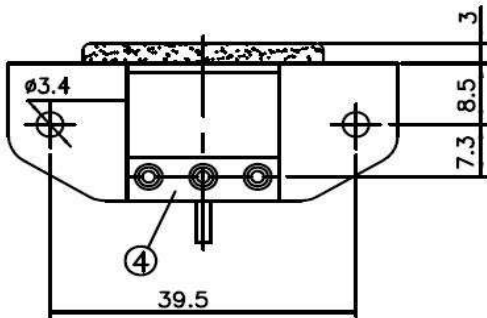
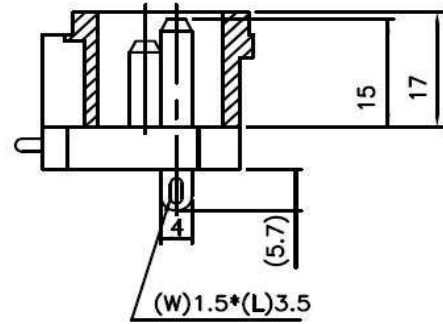
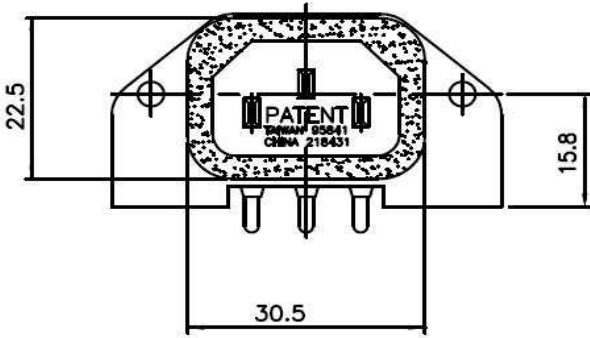


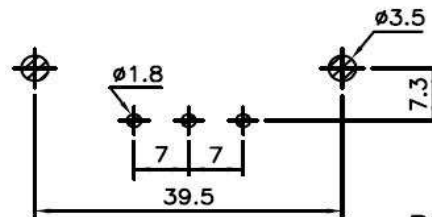
# AC SOCKET

## SS-7B-1B

STANDART: IEC 320-1 C14  
 RATING :15A 250V AC  
 APPROVALS :UL/CSA  
 RATING :10A 250V AC  
 APPROVALS : VDE/SEMKO/CCC  
 KTL/BSMI



Panel Cut-Out



PCB Layout