

RONG FENG

承 認 圖

SPECIFICATION FOR APPROVAL

西元 2012 年 12 月 25 日

PART NUMBER: AC SOCKET

ITEM NUMBER: SS-7B

ORDER NUMBER: SS-7B-VDER-4.8

DRAWING NUMBER: 910126

| 核 准 | 校 核 | 工 程 |
|-----|-----|-----|
| | | |

RONG FENG INDUSTRIAL CO., LTD

榮 豐 工 業 股 份 有 限 公 司

NO.180,CHENGKUNG
3 RD.NANTOU
CITY,TAIWAN

TEL:
886-49-2252421~5
FAX: 886-49-2253647

南投市成功三路 180 號
統一編號: 61451224

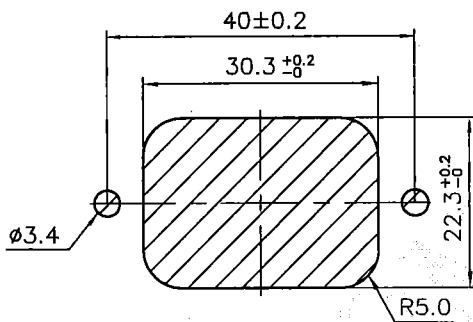
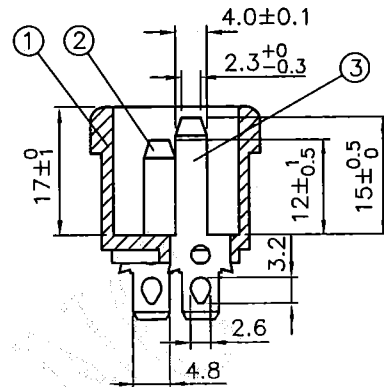
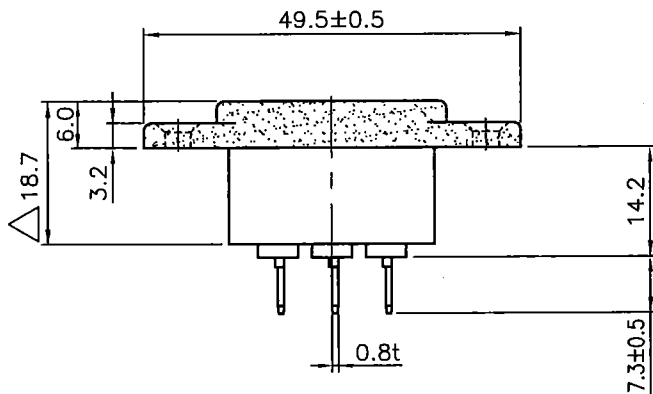
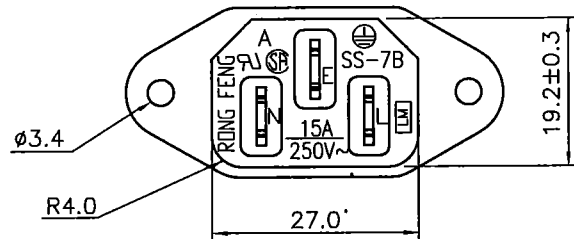
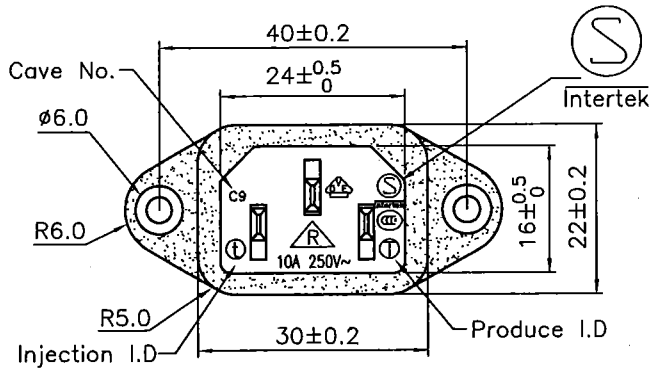
<http://rongfeng.com.tw>

E-Mail: rongfeng@tcts.seed.net.tw

SS-7B INLET

SCALE : 1:1

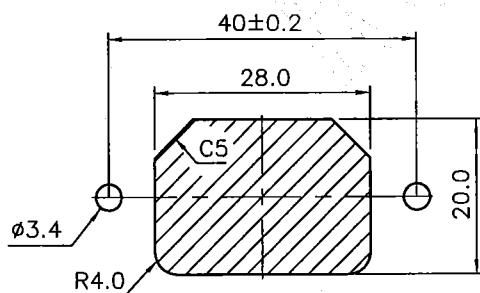
UNIT : mm



Mounting inlet flange at back of cover.

Rating: 15A 250V AC
 Approvals: UL/CSA
 Rating: 10A 250V AC
 Approvals: VDE/SEMKO/CCC

| Part No. | Terminal |
|-------------------|---------------|
| SS-7B-VDER-4.8 | Tin-Plated |
| SS-7B-VDER-4.8-NI | Nickel-Plated |



Mounting inlet flange in front of cover.



| | | | DIMENSIONAL TOLERANCES | |
|-----------------|---------------------------------|-----------------|------------------------------------|-----------|
| | | | GRADATION | TOLERANCE |
| 3 | Soldering PIN Brass Strip t=2mm | 1 | | |
| 2 | Contact PIN Brass Strip t=2mm | 2 | X | ±0.4 |
| 1 | Body Insulator PBT Black Color | 1 | X.X | ±0.3 |
| APPROVED: | CHECK: | DRAWER: | MATERIAL NO: SS-7B-VDER-4.8 Series | X.XX ±0.1 |
| 101.01.03 銘福 | 101.01.03 伯林 | 101.01.03 棋祥 | DRAWING NO: 910126 | ANGLE ±1° |

ENGINEER NO: TWI-K-1E76(H)

RONG FENG INDUSTRIAL CO.,LTD.

榮豐工業股份有限公司

NO.180,CHENGKUNG 3 ROAD
NAN TOU CITY,TAIWAN
R.O.C.

TEL:886-49-252421~5
FAX:886-49-253647

南投市成功三路 180 號
統一編號:61451224
CABEL:RONG FENG

Specification Of SS-7B AC SOCKET

page:2

8.Construction

8.1. Heat test

The socket should be putted in a hot chamber at temperature of $100^{\circ} \pm 5^{\circ} \text{C}/\text{hour}$.

The socket should have the capability to satisfy the performance the paragraphs 7.1., 7.2.,7.3, and the socket should show no evidence of cracking. Crazing and deformation.

8.2. Salt spray test

The socket should be test the salt spray for 16 hour.

The socket should have the capability to satisfy the performance the paragraphs 7.1., 7.2.,7.3.

8.3. Body strength

The socket should be press the body with 9kg/minute. The socket should have the capability to satisfy the performance the paragraphs 7.1., 7.2.,7.3., and the socket should show no evidence of cracking.

Crazing. and deformation.

8.4. Soldering:

The terminals shall be well soldered place of immersed place in the solder.

The solder of $360^{\circ} \pm 5^{\circ} \text{C}$ and the well time in solder is 3 ± 0.5 seconds and more than 70% of the terminal shall be covered by hand solder.

8.5. Material

The socket should be used PBT.

8.6. TIGHTENING TORQUE OF SCREW : 4~6 kgf-cm MAX.

9.Packing

100 PCS/BAG. 1,000 PCS/CTN.

| APPROVED | CHECK | WRITER | DESCRIPTION |
|------------|-------|--------|-------------|
| M. F. HUNG | John | Jenny | 99. 1. 14 |

ENGINEER NO : TWI-K-0007(K)



Northbrook, Illinois • (847) 272-8800
Melville, New York • (516) 271-6200
Santa Clara, California • (408) 985-2400
Research Triangle Park,
North Carolina • (919) 549-1400
Camas, Washington • (360) 817-5500

RONG FENG INDUSTRIAL CO LTD
C/O EXPEDITER LTD
MR J YEH
38 LANE 70 CHANG AN RD, SEC 2
TAICHUNG TAIWAN



Your most recent listing is shown below. Please review this information and report any inaccuracies to the UL Engineering staff member who handled your UL project.

AXUT2 November 5, 1997
Component - Attachment Plugs, Fuseless

RONG FENG INDUSTRIAL CO LTD
180 CHENG KUNG 3RD RD, NAN TOU TAIWAN
Motor attachment cap.
Models SS-7B, SS-7BA, SS-7B-1, SS-7B-1A, SS-120, RF-180.
Inlet.
Model RF-190.
Marking: Company name and model designation on device or carton.
See General Information Preceding These Recognitions.
For use only in equipment where the acceptability of the combination is determined by Underwriters Laboratories Inc.
Reports: July 18, 1986; October 29, 1997.

E102641 (S)

Replaces E102641 dated April 28, 1997.
508101003 Underwriters Laboratories Inc.®

011/0129982
13

For information on placing an order for UL Listing Cards in a 3 x 5 inch card format, please refer to the enclosed ordering information.

UNDERWRITERS LABORATORIES INC.

A not-for-profit organization
dedicated to public safety and
committed to quality service



CSA INTERNATIONAL

Certificate of Compliance

Certificate: 1547391

Master Contract: 175964 (LR 65612)

Project: 2148462

Date Issued: June 17, 2009

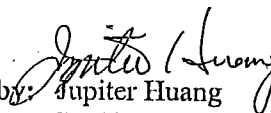
Issued to: Rong Feng Industrial Co., Ltd.
No 180, Cheng Kung 3 Rd.,
Nan Tou City, Taiwan

Attention: Mr. John Yu

The products listed below are eligible to bear the CSA Mark shown



Issued by: Sebastian George
P. Eng.

Authorized by: 
Jupiter Huang
Certifier

PRODUCTS

CLASS – 6233 01 - RECEPTACLES - Attachment Plug Type and Plugs

Special use connectors, 15 A, 250 V.

PART A: Male inlet Cat No SS-7B, SS-7BA.

PART B: Receptacle Cat No SS-8B.

PART C: Male inlet Cat No SS-7B-1, SS-7B-1A.

PART D: Receptacle Cat No SS-8B PCB.

Notes:

1. These connectors are supplied only to manufacturers as components for the assembly of Certified electrical equipment.
2. Subject to investigation in the end use.

APPLICABLE REQUIREMENTS

CAN/CSA-C22.2 No 182.3-M1987

- Special Use Attachment Plugs, Receptacles and Connectors



Prüf- und Zertifizierungsinstitut

ZEICHENGENEHMIGUNG MARKS APPROVAL

Rong Feng Industrial
Co., Ltd.
No. 180, Cheng Kung 3rd Road
540 NAN TOU CITY
TAIWAN

ist berechtigt, für ihr Produkt /
is authorized to use for their product

Gerätestecker
Appliance inlet

die hier abgebildeten markenrechtlich geschützten Zeichen
für die ab Blatt 2 aufgeführten Typen zu benutzen /
the legally protected Marks as shown below for the types referred to on page 2 ff.



Geprüft und zertifiziert nach /
Tested and certified according to

DIN EN 60320-1 (VDE 0625-1):2008-05; EN 60320-1:2001 + A1:2007

VDE Prüf- und Zertifizierungsinstitut GmbH
VDE Testing and Certification Institute
Zertifizierungsstelle / Certification

VDE Zertifikate sind nur gültig bei Veröffentlichung unter:
VDE-certificates are valid only when published on:

Aktenzeichen: 1476300-1550-0001 / 140224

File ref.:

Ausweis-Nr. 40028101

Blatt 1

Certificate No.

Page

Weitere Bedingungen siehe Rückseite und Folgeblätter /
further conditions see overleaf and following pages

Offenbach, 2009-08-13

(letzte Änderung/updated 2011-05-12)

<http://www.vde.com/zertifikat>

<http://www.vde.com/certificates>



VDE Prüf- und Zertifizierungsinstitut
Zeichengenehmigung

Ausweis-Nr. / Blatt /
Certificate No. page
40028101 2

Name und Sitz des Genehmigungs-Inhabers / Name and registered seat of the Certificate holder
Rong Feng Industrial Co., Ltd., No. 180, Cheng Kung 3rd Road, 540 NAN TOU CITY, TAIWAN

Aktenzeichen / File ref.
1476300-1550-0001 / 140224 / FG31 / E

letzte Änderung / updated Datum / Date
2011-05-12 2009-08-13

Dieses Blatt gilt nur in Verbindung mit Blatt 1 des Zeichengenehmigungsausweises Nr. 40028101
This supplement is only valid in conjunction with page 1 of the Certificate No. 40028101.

Gerätestecker
Appliance inlet

Typ(en) / Type(s):

- 1) SS-7B
- 2) SS-7B-1
- 3) SS-7B-D
- 4) SS-120
- 5) SS-120-I
- 6) SS-120 PCB
- 7) SS-120-Z
- 8) SS-120-2001 A
- 9) SS-120-PCB-2001C

| | |
|---|--|
| Bemessungsspannung <i>Rated voltage</i> | AC 250 V |
| Bemessungsstrom <i>Rated current</i> | 10 A |
| Polzahl <i>Number of poles</i> | 2-polig mit Schutzkontakt <i>2-pole with earthing contact</i> |
| Bauart <i>Kind of construction</i> | Normblatt C14 <i>standard sheet C14</i> |
| Stifttemperatur <i>Temperature of the pins</i> | max. 70°C |
| Glühdrahtfestigkeit des Trägermaterials <i>Glow wire resistance</i> | 850°C |

Certificate



Intertek

for European Product Safety

Reference No. 1120936

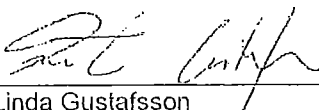
Appliance inlet

| | |
|---|--|
| Type designation | 701W-G, SS-120, SS-120-PCB, SS-7B, SS-7B-1 |
| Certificate holder | Rong Feng Industrial Co., Ltd. No. 180, Cheng-Kung 3rd Road Nan Tou City 540 TAIWAN |
| The product complies with the standard(s) | EN 60320-1:2001 +A1 |
| Date of expiry | 7 November 2016 |
| EU Directive information | The product satisfies the provisions for CE marking according to the Low Voltage Directive 2006/95/EC. |

Additional information in Appendix.

Certification Body Intertek Semko AB, Product Certification Place Kista - Stockholm

Signed


Linda Gustafsson

Date 7 November 2011

This certificate is issued in accordance with the terms and conditions set out in the Appendix.



CERTIFICATE FOR CHINA COMPULSORY PRODUCT CERTIFICATION

No.: 2002010204005120

NAME AND ADDRESS OF THE APPLICANT

Rongfeng Electrical(Shenzhen) Co., Ltd.
Bantian 2nd Industrial Zone, Buji Town, Longgang District, Shenzhen

NAME AND ADDRESS OF THE MANUFACTURER

Rongfeng Electrical(Shenzhen) Co., Ltd.
Bantian 2nd Industrial Zone, Buji Town, Longgang District, Shenzhen

NAME AND ADDRESS OF THE FACTORY

Rongfeng Electrical(Shenzhen) Co., Ltd.
Bantian 2nd Industrial Zone, Buji Town, Longgang District, Shenzhen

NAME, MODEL AND SPECIFICATION

10A 250V Appliance Inlet for Class I Equipment for Cold Conditions
SS-120-PCB 10A 250V~, SS-7B 10A 250V~, SS-7B-1 10A 250V~, SS-120 10A
250V~, 701W-G 10A 250V~

THE STANDARDS AND TECHNICAL REQUIREMENTS FOR THE PRODUCTS

GB17465.1-2009

This is to certify that the above mentioned products have met the requirements of implementation rules for compulsory certification(REF NO. CNCA-01C-006:2001).

Date of issue: Jan. 31, 2011 Date of expiry: Oct. 27, 2014

Validity of this certificate is subject to positive result of the regular follow up inspection by issuing certification body until the expiry date.

Date of original certification: Jun. 20, 2002

This certificate can be verified through CNCA's website: www.cnca.gov.cn



President:

Wang Kejiao

CHINA QUALITY CERTIFICATION CENTRE

Section 9, No.188, Nansihuan Xilu, Beijing 100070 P.R.China

<http://www.cqc.com.cn>



Q 0366536