

RONG FENG

承 認 圖

SPECIFICATION FOR APPROVAL

西元 2012 年 12 月 25 日

PART NUMBER: AC SOCKET

ITEM NUMBER: SS-8B

ORDER NUMBER: SS-8B-VDE-NEW

DRAWING NUMBER: 831218-2

核 准	校 核	工 程

RONG FENG INDUSTRIAL CO., LTD

榮 豐 工 業 股 份 有 限 公 司

NO.180,CHENGKUNG
3 RD.NANTOU
CITY,TAIWAN

TEL: 886-49-252421~5
FAX: 886-49-253647

南投市成功三路 180 號
統一編號: 61451224

<http://rongfeng.com.tw>

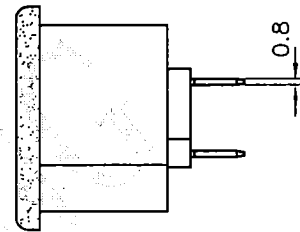
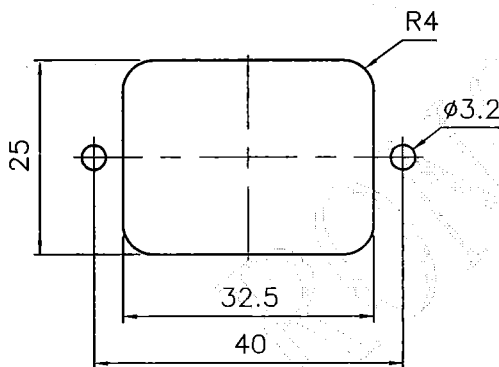
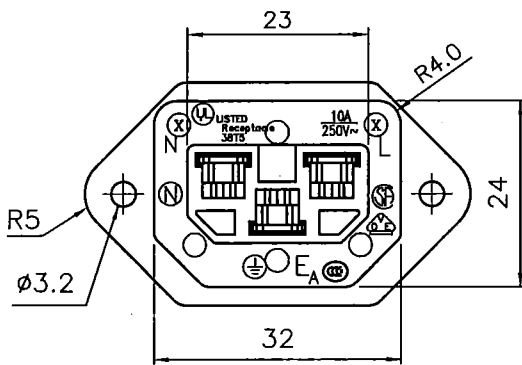
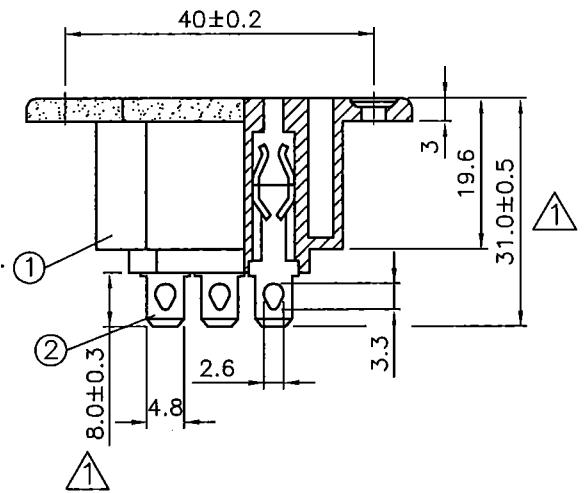
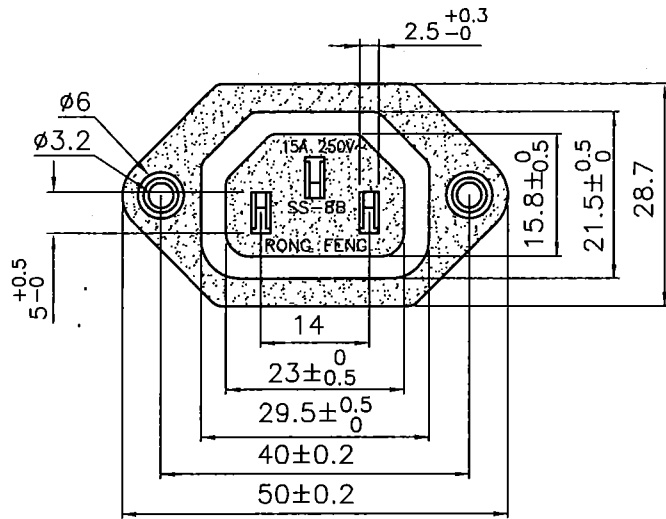
E-Mail: rongfeng@tcts.seed.net.tw

SS-8B

INLET

SCALE : 1:1

UNIT : mm



Rating: 15A 250V AC
 Approvals: UL/CSA
 Rating: 10A 250V AC
 Approvals: VDE/NEMKO/CCC

2	Soldering PIN Brass Strip t=0.8mm Tin-Plated	3
1	Body Insulator PBT Black Color	1



				DIMENSIONAL TOLERANCES	
				GRADATION	TOLERANCE
4	→			X	±0.4
3	→			X.X	±0.3
2	增標尺寸			X.XX	±0.1
1	31.2 → 31.0 ± 0.5			ANGLE	±1°
NO	DESCRIPTION		APPROVED	DATE	
APPROVED:	洪	CHECK:	蔡	DRAWER: 謝	
	99.12.13		99.12.13	JUAN 99.12.13	
	銘福		伯林	99.12.08 祺祥	
MATERIAL NO: SS-8B-VDE-NEW			DRAWING NO: 831218-2		

RONG FENG INDUSTRIAL CO.,LTD.

榮豐工業股份有限公司

NO.180,CHENGKUNG 3 ROAD
NAN TOU CITY,TAIWAN
R.O.C.

TEL:886-49-2252421~5
FAX:886-49-2253647

南投市成功三路 180 號
統一編號:61451224
CABEL:RONG FENG

Specification Of SS-8B AC SOCKET

page:1

1.Scope

This specification covers the requirements for SS-8B AC Socket.

2.Outline and dimensions

Outline and dimensions of the socket is shown on the following drawing

3.Rating

3.1. 15A250V AC for UL, CSA.

3.2. 10A250V AC for VDE, NEMKO, CCC

4.Use condition

This socket should be used Max 100°C for UL, CSA
 Max 65°C for VDE, NEMKO, CCC

5.Hold condition

This socket should be holded from -10°C ~65°C.

6.Standard

IEC 320, UL 498

CSA 22.2.42M

DIN VDE 0625

EN60 320

7.Electrical

7.1. Dielectric strength

The socket should withstand a potential of direct current 3000V AC/minute one minute.

7.2. Insulation resistance

Insulation resistance between pins should not be less than 100 MΩ.

It is measured with 500V DC.

ENGINEER NO : TWI-K-0011(J)

RONG FENG INDUSTRIAL CO.,LTD.

榮豐工業股份有限公司

NO.180,CHENGKUNG 3 ROAD
NAN TOU CITY,TAIWAN
R.O.C.

TEL:886-49-2252421~5
FAX:886-49-2253647

南投市成功三路 180 號
統一編號:61451224
CABEL:RONG FENG

Specification Of SS-8B AC SOCKET

page:2

7.3. Contact resistance

Contact resistance should not exceed 30mΩ Max.

8. Construction

8.1. Heat test

The socket should be pputted in a hot chamber at temperature of 100°C±5°C/hour. 1 hour.

The socket should have the capability to satisfy the performance the paragraphs 7.1., 7.2., 7.3. And the socket should show no evidence of cracking.

Crazing and deformation.

8.2. Body strength

The socket should be press the body with 9kg/minute.

The socket should have the capability to satisfy the performance the paragraphs 7.1., 7.2., 7.3. and the socket should show no evidence of cracking.

Crazing and deformation.

8.3. Material

The socket should be used PBT.

8.4. Tightening torque of screw : 4~6 kgf-cm Max.

8.5. Iron soldering

The terminal shall be hook the wire, after to do iron soldering, the iron of top temperature is 350±5°C, solder time:3~5sec.

9. Packing

100 PCS/BAG. 1,000 PCS/CTN.

APPROVED	CHECK	WRITER	DESCRIPTION
M. F. HUNG	John	Jenny	101. 2. 16

ENGINEER NO : TWI-K-0012(J)

RTRT

February 16, 2001

Receptacles for Attachment Plugs and Plugs

RONG FENG INDUSTRIAL CO LTD

180 CHENG KUNG 3RD RD, NAN TOU TAIWAN

E95905

Receptacles for use in appliances.

Receptacle for use in appliances, 15 Amp 125V, grounding type, Cat. No. E-07; 15 Amp 250V, grounding type, Cat. Nos. SS-130, -8B; 20 Amp 125V, grounding type, Cat. No. E 09, E-09-A.

LOOK FOR LISTING MARK ON PRODUCT

10/29/2001

Underwriters Laboratories Inc.

Card 1 of 1

Certificate of Compliance

Certificate: 1547391

Master Contract: 175964 (LR 65612)

Project: 2148462

Date Issued: June 17, 2009

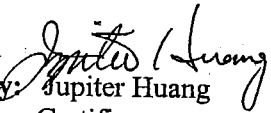
Issued to: Rong Feng Industrial Co., Ltd.
No 180, Cheng Kung 3 Rd.,
Nan Tou City, Taiwan

Attention: Mr. John Yu

The products listed below are eligible to bear the CSA Mark shown



Issued by: Sebastian George
P. Eng.

Authorized by: 
Jupiter Huang
Certifier

PRODUCTS

CLASS – 6233 01 - RECEPTACLES - Attachment Plug Type and Plugs

Special use connectors, 15 A, 250 V.

PART A: Male inlet Cat No SS-7B, SS-7BA.

PART B: Receptacle Cat No SS-8B.

PART C: Male inlet Cat No SS-7B-1, SS-7B-1A.

PART D: Receptacle Cat No SS-8B PCB.

Notes:

1. These connectors are supplied only to manufacturers as components for the assembly of Certified electrical equipment.
2. Subject to investigation in the end use.

APPLICABLE REQUIREMENTS

CAN/CSA-C22.2 No 182.3-M1987

Special Use Attachment Plugs, Receptacles and Connectors

ZEICHENGENEHMIGUNG MARKS APPROVAL

Rong Feng Industrial
Co., Ltd.
No. 180, Cheng Kung 3rd Road
540 NAN TOU CITY
TAIWAN

ist berechtigt, für ihr Produkt /
is authorized to use for their product

Geräteeinbausteckdose
Appliance outlet

die hier abgebildeten markenrechtlich geschützten Zeichen
für die ab Blatt 2 aufgeführten Typen zu benutzen /
the legally protected Marks as shown below for the types referred to on page 2 ff.



Geprüft und zertifiziert nach /
Tested and certified according to

DIN EN 60320-1 (VDE 0625-1):2008-05; EN 60320-1:2001 + A1:2007
DIN EN 60320-2-2 (VDE 0625 Teil 2-2):1999-09; EN 60320-2-2:1998
IEC 60320-1(ed.2);am1
IEC 60320-2-2(ed.2)

VDE Prüf- und Zertifizierungsinstitut GmbH
VDE Testing and Certification Institute
Zertifizierungsstelle / Certification

VDE Zertifikate sind nur gültig bei Veröffentlichung unter:
VDE certificates are valid only when published on:

Aktenzeichen: 1476300-1550-0002 / 162422
File ref.:

Ausweis-Nr. 40029450 Blatt 1
Certificate No. Page

Weitere Bedingungen siehe Rückseite und Folgeblätter /
further conditions see overleaf and following pages

Offenbach, 2010-02-18
(letzte Änderung/updated 2012-03-30)

<http://www.vde.com/zertifikat>
<http://www.vde.com/certificate>

Name und Sitz des Genehmigungs-Inhabers / *Name and registered seat of the Certificate holder*

Rong Feng Industrial Co., Ltd., No. 180, Cheng Kung 3rd Road, 540 NAN TOU CITY, TAIWAN

Aktenzeichen / *File ref.*

1476300-1550-0002 / 162422 / FG31 / E

letzte Änderung / *updated* Datum / *Date*

2012-03-30 2010-02-18

Dieses Blatt gilt nur in Verbindung mit Blatt 1 des Zeichengenehmigungsausweises Nr. 40029450
This supplement is only valid in conjunction with page 1 of the Certificate No. 40029450.

Geräteeinbausteckdose **Appliance outlet**

Typ(en) / *Type(s)*:

- 1) SS-8B
- 2) SS-130

Bemessungsspannung
Rated voltage

AC 250 V

Bemessungsstrom
Rated current

10 A

Polzahl
Number of poles

2-polig mit Schutzkontakt
2-pole with earthing contact

Bauart
Kind of construction

Normblatt F
standard sheet F

Art der Montage
Method of mounting

Einbau für Geräte der Schutzklasse I
built into class I appliances
Flanschbefestigung
flange mounting
Für / *for* 1)
Snap-In-Befestigung
snap-in mounting
Für / *for* 2)

Anschlussart
Connection method

Lötanschluß
solder terminals
Für / *for* 1), 2)
Flachsteckanschluß 6,3 x 0,8 mm
flat-quick tab terminations 6,3 x 0,8 mm
Für / *for* 2)



CERTIFICATE

No. P09211666



Order No. 138913

Product Appliance outlet

Applicant Rong Feng Industrial Co., Ltd.
No. 180, Cheng Kung 3 Rd.
Nan Tou City 540
Taiwan

Manufacturer Rong Feng Industrial Co., Ltd.
No. 180, Cheng Kung 3 Rd.
Nan Tou City 540
Taiwan

Factory See page 2

Ratings 10A 250V AC

Trade mark Rong Feng

Model / Type Ref. SS-8B

Principal characteristics Appliance outlet for Class I equipment. Standard Sheet F.
Thermoplastic, with solder terminals, for flange mounting
 See next page(s)

A sample of the product was tested and found to be in conformity with INST EN 60320-2-2:1998

Validity This certificate documents conformity with the standards shown, and also applies as license for use of Nemkos name and certification mark. The certificate and license is valid as long as the applicable conditions are complied with, and provided that any changes to the product are notified to Nemko for acceptance prior to implementation.
New standards or amendments to the standards may imply that the product design must be updated and/or that re-testing and re-certification is necessary.

Additional information EN 60320-1:2001;A1 is used in conjunction to main standard
 See next page(s)

Additional model(s) See next page(s)

Date of issue 23-12-2009

Signature

Juan Z. Kleppenes

Certification Department

Nemko AS	Office address	Internet	Telephone	Fax
P.O. Box 73, Blindern	Gaustadalléen 30	www.nemko.com	+47 22 96 03 30	+ 47 22 96 05 50
N-0314 Oslo, Norway	Oslo		Enterprise number:	NO 974404532



CERTIFICATE FOR CHINA COMPULSORY PRODUCT CERTIFICATION

No. : 2002010204005126

NAME AND ADDRESS OF THE APPLICANT

Rongfeng Electrical(Shenzhen) Co., Ltd.
Bantian 2nd Industrial Zone, Buji Town, Longgang District, Shenzhen

NAME AND ADDRESS OF THE MANUFACTURER

Rongfeng Electrical(Shenzhen) Co., Ltd.
Bantian 2nd Industrial Zone, Buji Town, Longgang District, Shenzhen

NAME AND ADDRESS OF THE FACTORY

Rongfeng Electrical(Shenzhen) Co., Ltd.
Bantian 2nd Industrial Zone, Buji Town, Longgang District, Shenzhen

NAME, MODEL AND SPECIFICATION

10A 250V APPLIANCE OUTLET FOR CLASS I EQUIPMENT

SS-8B 10A 250V~, SS-130 10A 250V~, 742W-2P 10A 250V~, 742W-3P 10A 250V
~, 742W-4P 10A 250V~, 742W-5P 10A 250V~, 742W-6P 10A 250V~

THE STANDARDS AND TECHNICAL REQUIREMENTS FOR THE PRODUCTS

GB17465.1-2009 GB17465.2-2009

This is to certify that the above mentioned products have met the requirements of implementation rules for compulsory certification(REF NO. CNCA-01C-006:2001).

Date of issue: Mar. 11, 2011 Date of expiry: Mar. 11, 2016

Validity of this certificate is subject to positive result of the regular follow up inspection by issuing certification body until the expiry date.

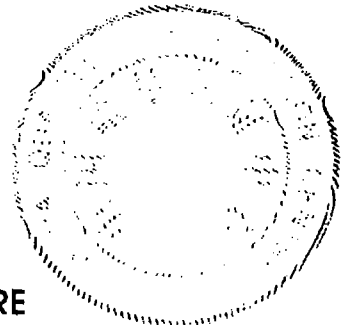
Date of original certification: Jun. 20, 2002

This certificate can be verified through CNCA's website: www.cnca.gov.cn



President:

Wang Kejiao



CHINA QUALITY CERTIFICATION CENTRE

Section 9, No. 188 Nansihuan Xilu, Beijing 100070 P.R. China

<http://www.cqc.com.cn>