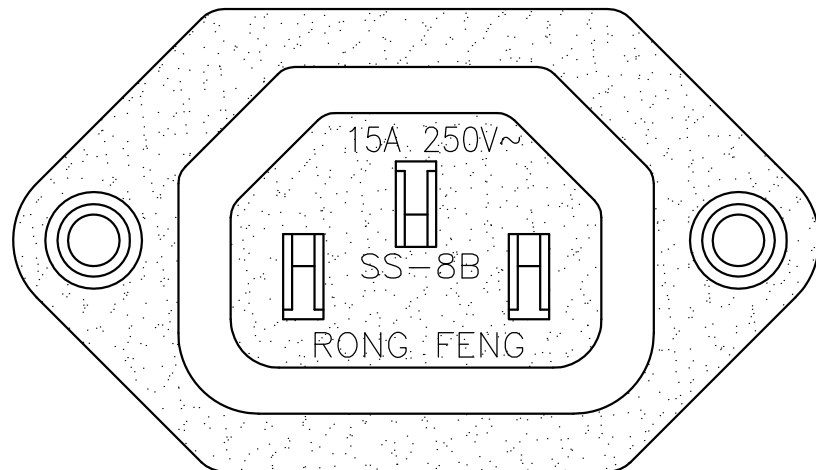


SS-8B

Before



After

